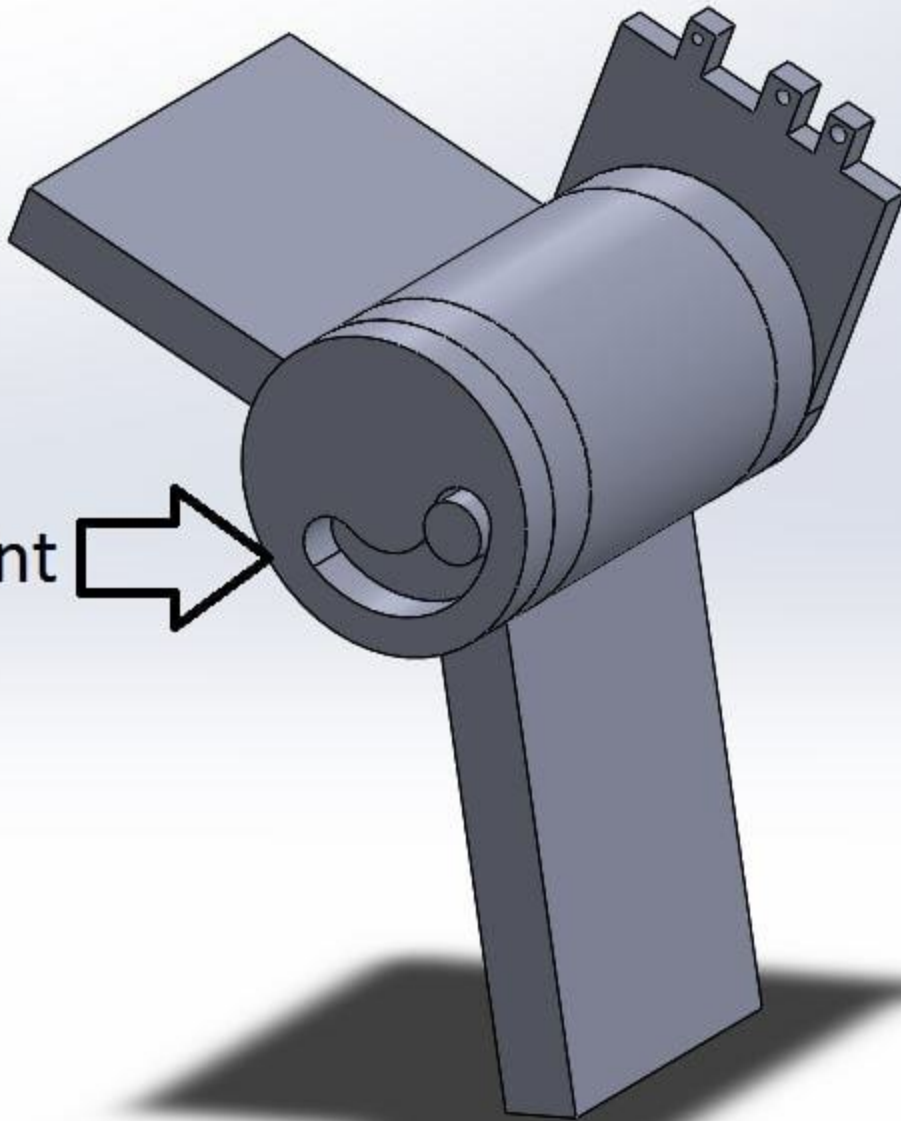
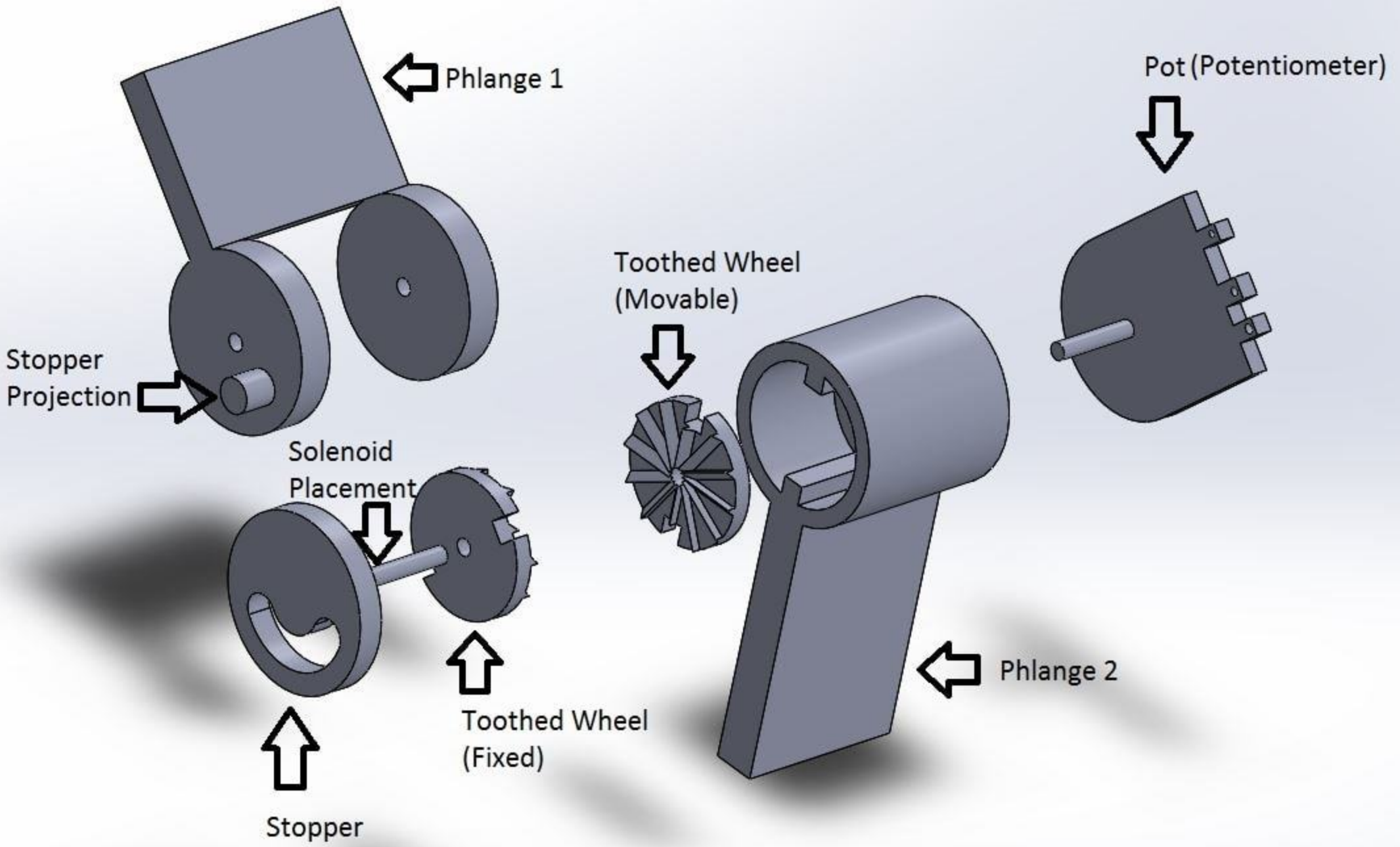
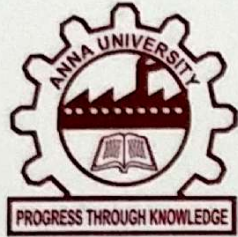


Joint







ANNA UNIVERSITY : CHENNAI
Madras Institute of Technology Campus
Department of Production Technology



NCARMS-2016

Certificate

*This is to certify that Dr./Mr./Ms.SHEKARAN J.....of
VELLORE INSTITUTE OF TECHNOLOGY - CHENNAI CAMPUS...has participated
in the UGC sponsored "National Conference on Automation, Robotics and
Mechatronic Systems (NCARMS-2016)" held on 25th and 26th March 2016 at
Madras Institute of Technology, Anna University, Chennai - 600044.*

*He/She also presented the following paper titled. DESIGN OF HAPTIC GLOVE.....
ACTUATOR.....*

Dr.R. Sivaramakrishnan
Convener

Prof.A. Jothilingam
Chairman

Dr.A. Rajadurai
Dean , MIT