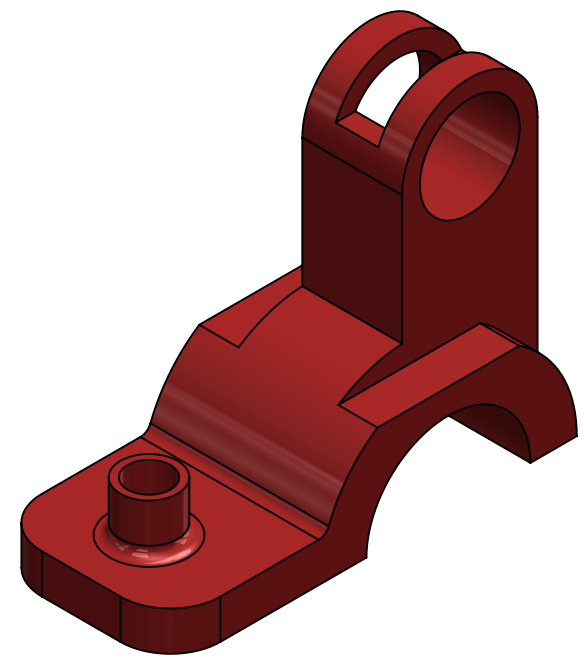
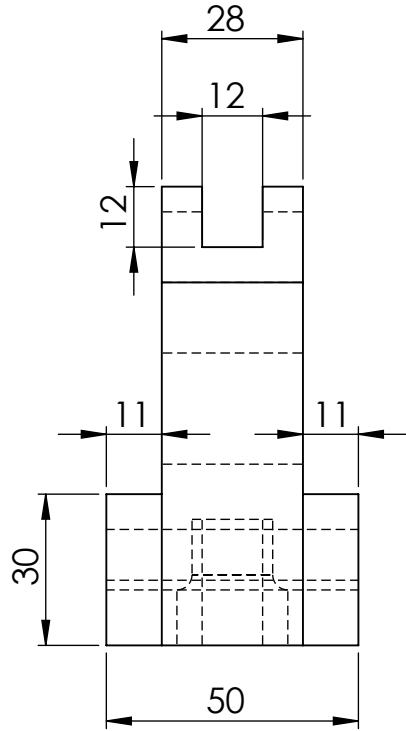
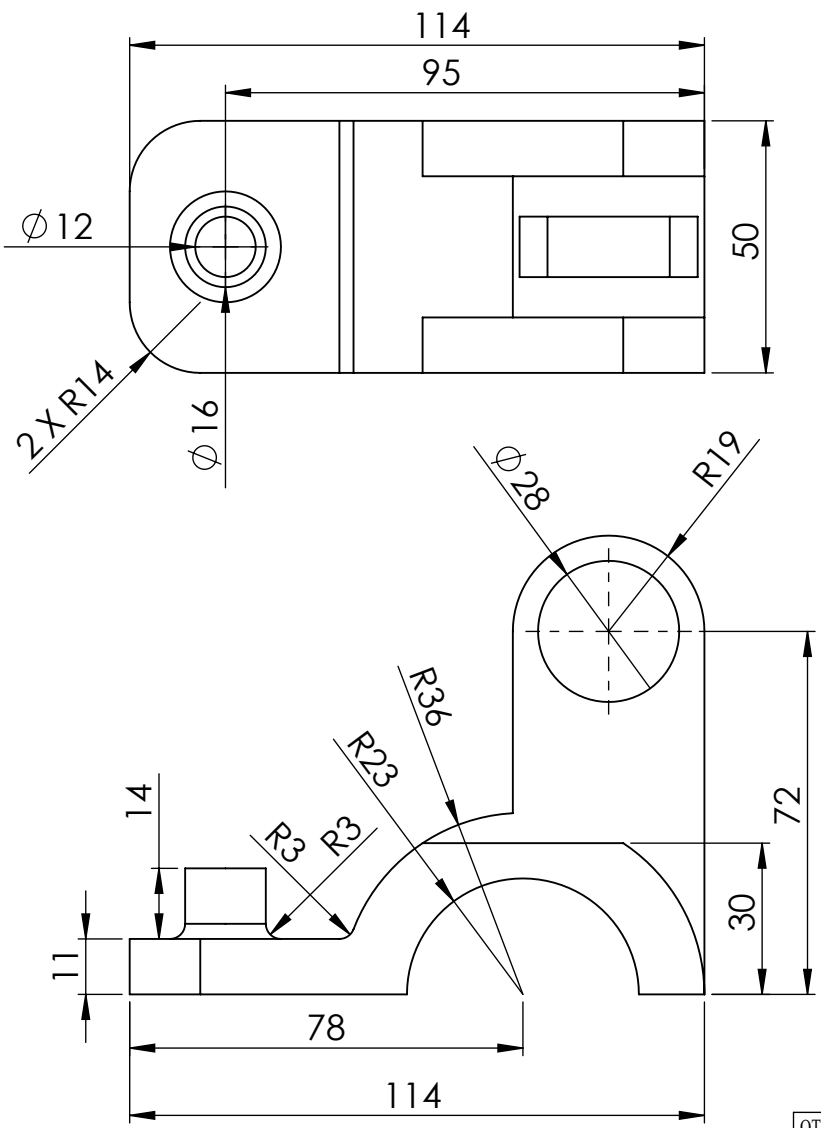


ALL DIM.	BENDING DIM.	LASER/RAW MATL. CUT LIST	WELDING ANNOTATION	WELDING TYPE	TOLERANCE	RAW MATERIAL	THICKNESS	M/C NAME	QTY.	MATERIAL	3D ASSY	HARDWARE/ CONSUMABLE
----------	--------------	--------------------------	--------------------	--------------	-----------	--------------	-----------	----------	------	----------	---------	----------------------



This Document is the property of GET INTO CAD & shall be used only with their express permission in writing.

REV. NO.	REVISION	DATE	NAME	SIGN.

NOTES:  
 Remove All Sharp Edges | Please ask if any Doubt .  
 Unspecified RADIUS - 0.5 | Unspecified CHAMFER - 1 x 45°

QTY:		MAT:	
GENERAL TOLERANCE	SURFACE FINISH		
SIZE	LIMIT	Ra	LIMIT
0.5 - 6	±0.1	50	~
6 - 30	±0.2		
30 - 120	±0.3	25	▽
120 - 315	±0.5	12.5	▽
315 - 1000	±0.8	6.3	▽
1000 - 2000	±1.2	3.2	▽
1000 - 2000	±2	1.6	▽
4000-8000	±3	0.8	▽

**GET INTO CAD**  
*Igniting a Wave of Innovations*  
 SECTOR 20 OLD Faridabad - 121002

DESIGN	VIKRANT	SIGN		DATE	20-12-2023
CHKD	VIKRANT				
APPD					

PART NAME : EXERCISE 2

PROJECT NAME : \_\_\_\_\_ DGN NO: \_\_\_\_\_ PAPER : A4

THIS DRAWING WAS PRODUCED USING: ALL DIMENSIONS IN MM. DO NOT SCALE IF ANY DOUBT

SOFTWARE : SOLIDWORKS 2022

WEIGHT: \_\_\_\_\_ kg

SCALE: 1:2

REVISION: \_\_\_\_\_ SHEET: 1 OF 1